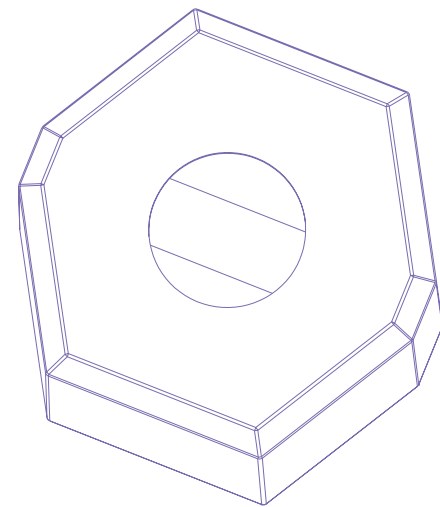


EXCIMER FAR-UVC 222NM

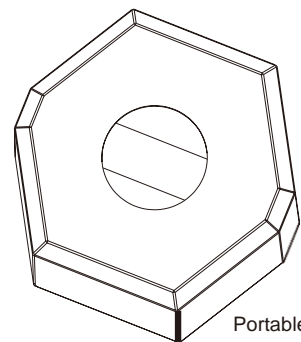
Product Instruction



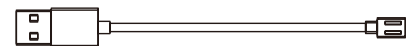
HEXAGON

Portable Excimer Lamp 222nm

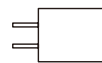
Package List



Portable 222nm Light X1



USB Cable X1

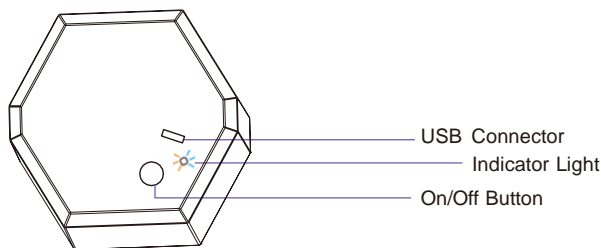


Adapter X1



Manual X1

Indicator Light



(Back)

NOTE:

- 1) Fully charge your portable Excimer lamp before using it for the first time. Charging takes about 4-5 hours.
- 2) Usage hours 4-5 hours.

Press on button	Light on
Press button again	Light off
Full charge	Green light
Charging	Red light

Specifications

Dimensions:	93x65x88MM
Weight :	0.2KG
Wattage:	2-Watt
UV Wavelength:	Far-UVC 222nm
Effective UV Intensity(with Filter):	600+ μ W/cm ² (0cm)
Nominal Capacity	3000mAh
Maximum Input Power	11.1Wh
Nominal Voltage:	3.7V
Charge Voltage:	5V 1A
Powered by:	Rechargeable & USB Powered(TYPE-C)
Battery type :	Lithiumion polymer
Ambient Operating Temperature Range:	-10°C to+50°C
Expected Life span:	3000+Hours
Safety Requirement:	Mercury-Free
Storage Environment:	Dry, and Ventilation Environment
Beam Angle:	60°
Material:	Quartz Glass ABS Aluminum Alloy

The HEXAGON® is designed for air & surface disinfection and it can be applied everywhere. The UV irradiance coverage is within 1 meter.

Cautions:

- 1)Ultraviolet lamps are made of glass and therefore somewhat fragile.
- 2)Keep away from liquids. Stop using if it is wet to avoid fire hazards, battery leakage.
- 3)Recharge the HEXAGON once every six months when not in use.
- 4)Do not knock this product. Avoid dropping.
- 5) Never try to dismantle, repair or refit this unit by yourself.
- 6)Stop using immediately if deformation, breakage, overheating or abnormal odor occurs.



Warning

According to the photobiosafety standard IEC/EN 62471, a person's exposure to 222nm UV should not exceed 22mj per day.

